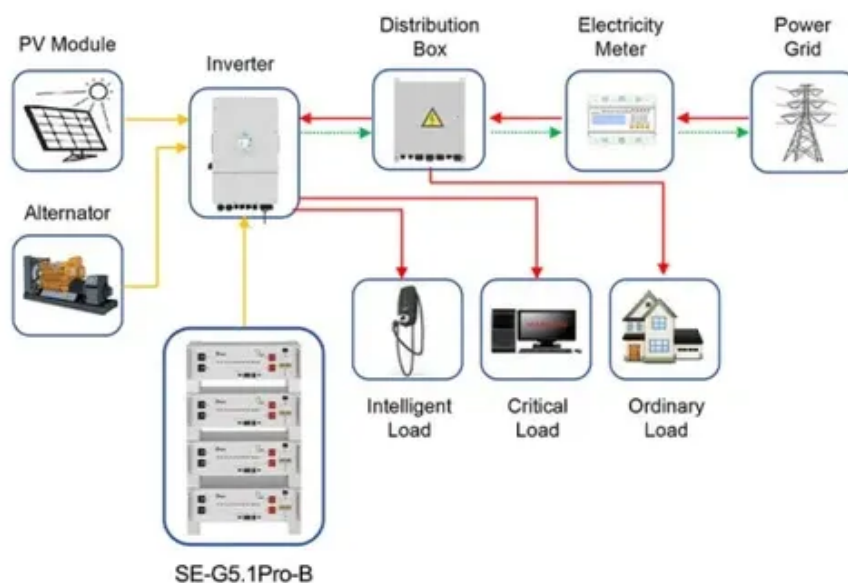




What are the types of photovoltaic end panels



Application scenarios of energy storage battery products





Overview

The six main types of solar panels are polycrystalline, monocrystalline, thin-film, transparent, solar tiles, and perovskite. All of these are photovoltaic panels – meaning they use daylight to generate electricity – and they're all categorised based on their material. Learn efficiency, cost, and performance differences to choose the best panels for your home in 2025. Why trust EnergySage?

The type of solar panel you need depends on the type of system you want to install.



What are the types of photovoltaic end panels

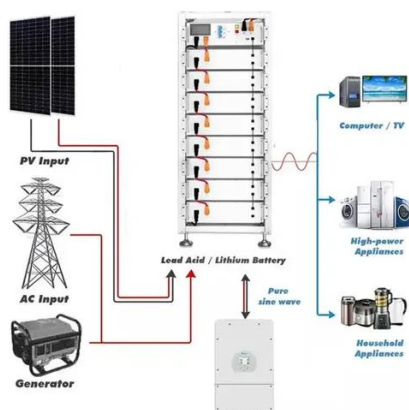


[Which type of solar panel should you choose?](#)

Out of the three types of solar panels, monocrystalline are the most efficient, polycrystalline are the cheapest, and thin-film panels are the most portable. Why trust EnergySage? ...

[An Extensive Guide to Different Types of Solar Panels](#)

There are many solar panel types, each with distinct characteristics, materials, efficiency rates, applications, and costs. The four main types of solar panels are monocrystalline, ...

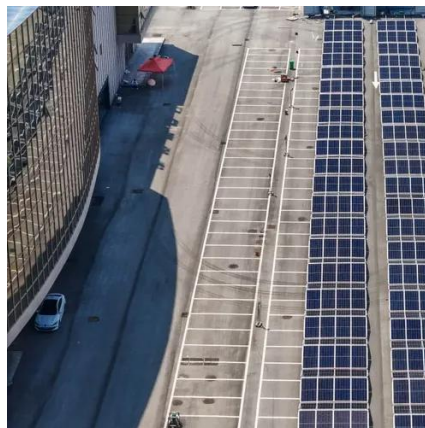


4 Different Types of Solar Panels

PV systems come in various types and are gaining popularity due to their affordability and clean energy generation. Let us explore the different types of solar panels and compare them based ...

[Types of photovoltaic solar panels and their characteristics](#)

Photovoltaic solar panels are devices specifically designed for the generation of clean energy from sunlight. In general, photovoltaic panels are classified into three main categories: ...



[5 Different Types Of Solar Panels \(2024\): Efficiency, Cost, Benefits](#)

With advancements in technology, different types of solar panels have been developed to cater to various energy needs and preferences. In this article, we will look into different types of ...



[Different Types of Solar Panels: Which One is Best for You](#)

In this beginner's guide, we'll explore the various options, including monocrystalline, polycrystalline, thin-film, and concentrating photovoltaic (CPV) solar panels.



[Which type of solar panel should you choose?](#)

Out of the three types of solar panels, monocrystalline are the ...



Comprehensive Guide to Solar Panel Types



This guide will illustrate the different types of solar panels available on the market today, their strengths and weaknesses, and which is best suited for specific use cases. What is a Solar Panel? Solar ...



[The 6 types of solar panels , What's the best type? \[2026\]](#)

Discover the six main types of solar panel, including thin-film, perovskite, and the best type for your home: monocrystalline.



[8 Types of Solar Panels Explained: How to Choose the Right One](#)

PVT (Photovoltaic-Thermal) solar panels represent the cutting edge of dual-energy systems. These innovative panels combine traditional solar cells with thermal collectors, allowing you ...



[Types of photovoltaic solar panels and their characteristics](#)

PV systems come in various types and are gaining popularity due to their affordability and clean energy generation. Let us explore the different types ...

Types of Solar Panels: Complete Guide



Compare monocrystalline, polycrystalline, and thin-film solar panels. Learn efficiency, cost, and performance differences to choose the best panels for your home in 2025. Made from single silicon ...





Contact Us

For catalog requests, pricing, or partnerships, please visit:

<https://iwap.com.pl>

Phone: +34 919 456 782

Email: info@iwap.com.pl

Scan the QR code to access our WhatsApp.

