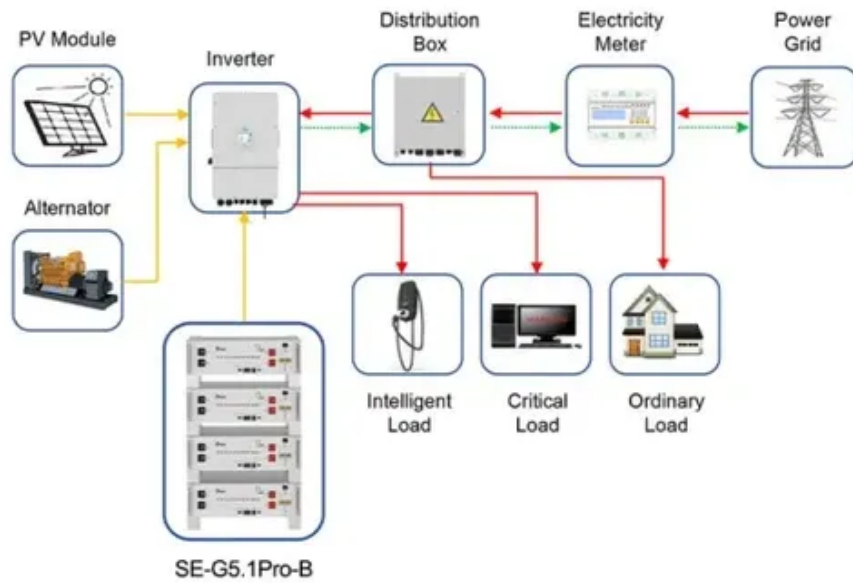




Storage solar battery factory in Uae



Application scenarios of energy storage battery products





Storage solar battery factory in Uae

[World's first 24/7 solar PV, battery storage ...](#)

Project to deliver 1 gigawatt of baseload power every day The ...



[Masdar Launches World's Largest 24/7 Solar-Battery Project in UAE](#)

Masdar's ambitious solar-plus-battery project in the UAE aims to provide 24/7 renewable energy and cut millions of tons of CO2 emissions annually. This groundbreaking initiative could serve ...



[UAE Launches World's Largest Solar and Battery Storage Project ...](#)

The mega facility integrates a 5.2-gigawatt solar photovoltaic (PV) plant with a 19-gigawatt-hour (GWh) battery energy storage system -- the largest and most advanced of its kind ...



[Abu Dhabi Breaks Ground on World's Largest \\$6bn Solar and Battery](#)

Abu Dhabi -- Abu Dhabi has officially broken ground on the world's largest renewable energy project integrating solar power and battery storage, marking a historic milestone in the UAE's ...



[UAE launches first 24/7 solar PV battery storage gigascale project](#)

The United Arab Emirates (UAE) has launched the world's first large-scale round-the-clock gigascale energy storage project in Abu Dhabi, combining solar power and battery storage in a ...

[UAE Launches World's Largest Integrated Solar & Battery Storage ...](#)

In a remarkable advancement for renewable energy, the United Arab Emirates, under the auspices of His Highness Sheikh Mohamed bin Zayed Al Nahyan, President of the UAE, has ...



[World's first 24/7 solar PV, battery storage gigascale project to ...](#)

Project to deliver 1 gigawatt of baseload power every day The launch of the solar power and battery storage project marks a pivotal moment in the clean energy transformation, allowing ...



[Masdar's new solar-battery plant puts UAE at forefront of 24/7 ...](#)



By marrying solar power generation with massive battery storage, Masdar's recently unveiled round-the-clock renewable energy plant has overcome one of the biggest technical ...



[Abu Dhabi Solar Battery Storage: How the UAE Achieved 24/7 ...](#)

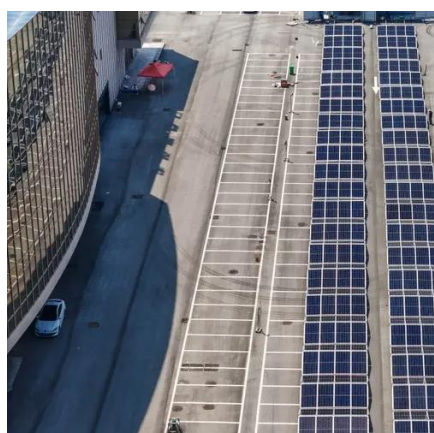
Abu Dhabi Solar Battery Storage is no longer a futuristic concept; it's the operational reality powering the UAE's capital. In a landmark achievement that redefines the global energy ...

[Battery Technology and Energy Storage Growth UAE: Building a](#)

Battery technology and energy storage growth UAE has become a cornerstone of the country's ambitious vision for sustainability and energy transformation. As one of the world's leading ...



- Voltage range: 691.2-947.2V
- >6000 cycles (100%DOD)
- Rated battery capacity: 216KWH (customizable)
- EMS communication: 4G/CAN/RS485



[Masdar, EWEC world-biggest solar-battery project in Abu Dhabi](#)

Dr Sultan Al Jaber, UAE Minister of Industry and Advanced Technology and chairman of Masdar gave a speech outlining the need for solutions to meet rapidly growing energy demand from ...



Contact Us

For catalog requests, pricing, or partnerships, please visit:

<https://iwap.com.pl>

Phone: +34 919 456 782

Email: info@iwap.com.pl

Scan the QR code to access our WhatsApp.

