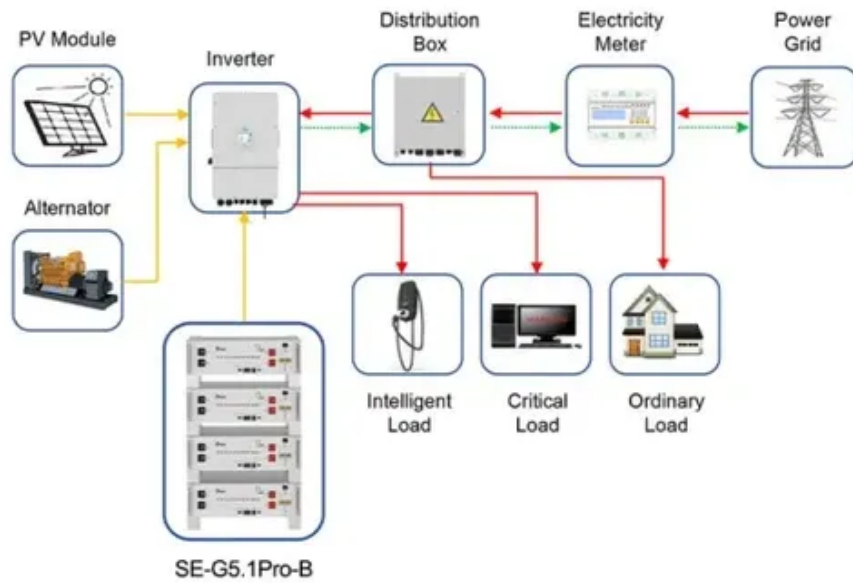




Photovoltaic bracket aluminum alloy specifications



Application scenarios of energy storage battery products





Overview

Alloy selection: 6000 series aluminum alloy is most common in solar panel frames. Commonly used alloys: 6005 T5/T6, 6060 T5/T6, 6061 T4/T6, 6063 T5/T6, 6463 T5/T6, 6082 T5/T6. Aluminum profile often used in the frame structure and bracket systems of solar profiles to support solar panels, and in connectors and accessories to ensure system stability and reliability. They. el Brackets: The Ultimate Guide,types and best options. They are used to secure solar panels onto rooftops,ground mounts,or other structures.



Photovoltaic bracket aluminum alloy specifications

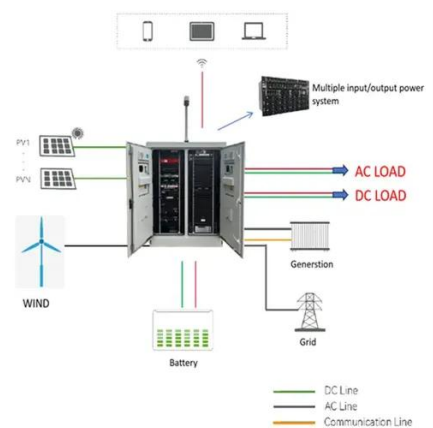


foton-zonnepanelen

What is solar photovoltaic bracket? Solar photovoltaic bracket is a special bracket designed for placing, installing and fixing solar panels in solar photovoltaic power generation systems. The general ...

[What are the characteristics of solar aluminum alloy brackets?](#)

The solar aluminum alloy bracket can increase the power generation rate by more than 50%, and can reduce the power generation cost by 40%, and minimize carbon dioxide emissions.



[Photovoltaic aluminum bracket specification size table](#)

Specifically, the flexible photovoltaic bracket can be customized according to the shape and size of the roof, and is suitable for various types of roofs, such as flat roofs, pitched roofs,

[Photovoltaic aluminum bracket models and specifications](#)

building solar panel frames and photovoltaic supports. Research shows that aluminum is the most widely used material in solar photovoltaic (PV) application, accounting for more than 85% of most ...

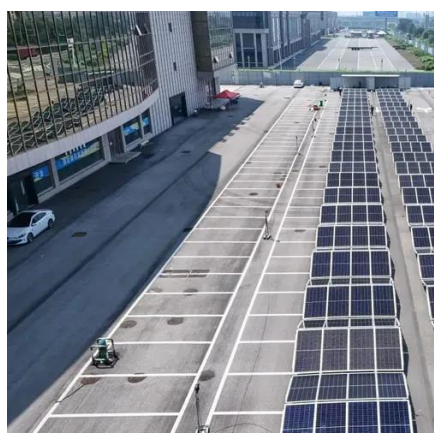


[Solar Aluminum Profile Supplier , Mastar Metal](#)

Using lightweight and durable aluminum alloy materials; Suitable for various locations, can be installed on both land and rooftops. Design with adjustable holes for easy installation, no on-site drilling required.

[Photovoltaic aluminum alloy bracket specification table](#)

Aluminum alloy solar mount bracket refers to a photovoltaic bracket whose material is mainly composed of aluminum alloy. Aluminum alloy brackets are mostly used in



[Implementation standards for photovoltaic aluminum alloy brackets](#)

Features: Aluminum Alloy Material Lightweight aluminum alloy construction, it is easy to carry and install, ideal for irregular surfaces and can also be used for flat roof photovoltaic module

[What are the characteristics of solar aluminum alloy ...](#)



The solar aluminum alloy bracket can increase the power ...



[Photovoltaic aluminum profile bracket specifications](#)

Boyue Photovoltaic Technology Co., Ltd is located in Hebei Province, China, the factory covers an area of 18,000 square meters, and 150 workers, 66 kilometers away from Beijing Airport and



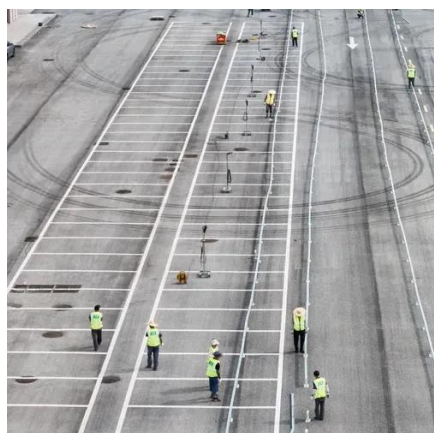
Aluminium Solar Panel Brackets

High-Strength Lightweight Materials: Constructed from aluminum alloys such as 6061-T6 and 6005-T5, offering high strength and low weight.
Excellent Corrosion Resistance: Anodized surface treatment ...



[Application of Aluminum Profiles in Photovoltaic \(PV\) Systems](#)

A deep analysis of the advantages and applications of aluminum profiles in photovoltaic brackets, panel frames and tracking systems, highlighting their features such as light weight, high strength, corrosion ...





Contact Us

For catalog requests, pricing, or partnerships, please visit:

<https://iwap.com.pl>

Phone: +34 919 456 782

Email: info@iwap.com.pl

Scan the QR code to access our WhatsApp.

