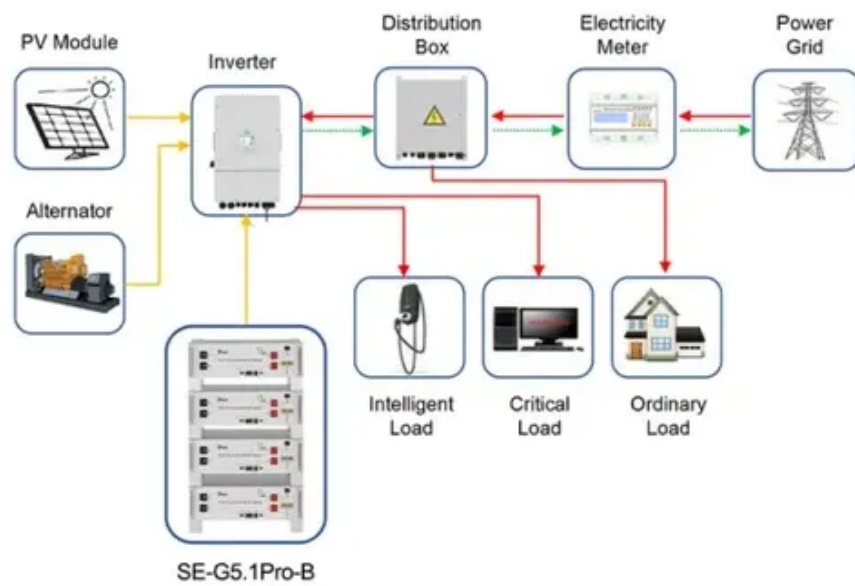




Island Microgrid Demonstration



Application scenarios of energy storage battery products





Island Microgrid Demonstration

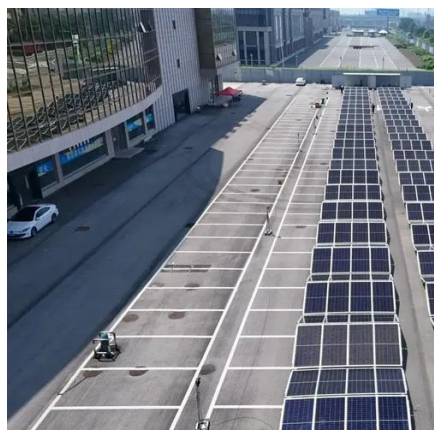


Microgrid in Island Operation

This demonstration illustrates a microgrid with three active generators (solar, wind, etc.) of different VA ratings (1 MVA, 500 kVA, 200 kVA). A supervisory controller at the Point of Common Coupling (PCC) ...

3 Pacific Island Nations Deploy Aquaculture and Agriculture Microgrids

The Palau, Tuvalu and Marshall Island microgrids will provide more than 50% of the power needed for demonstration farms and aquaculture centers on each island. Aquaculture, or ...



[Islanded Grid and Microgrid Solutions , GE Vernova](#)

Learn how GE Vernova's island and microgrid solutions have helped provide reliable power solutions in the Caribbean, Latin America, and more regions across the globe.

[Hybrid renewable microgrids: powering remote islands](#)

Examining successful island microgrid projects provides valuable insights into the practical application of hybrid renewable systems in isolated environments. These case studies demonstrate the diverse ...



[Ta'u Island Microgrid](#)

Ta'u now hosts a solar power and battery storage-enabled microgrid that can supply nearly 100 percent of the island's power needs from renewable energy, providing a cost-saving ...



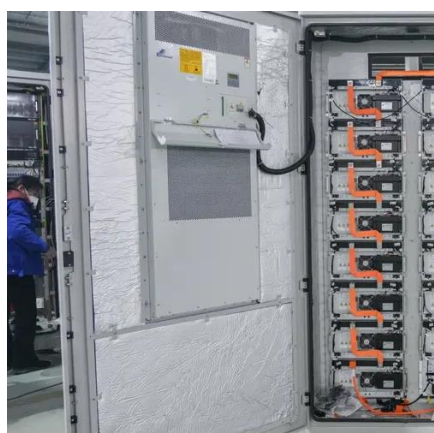
Microgrid system

Major Demonstration Projects on Island Microgrid system: Demonstration Project on deployment of RE in Islands Grids (FY2009) Okinawa Smart Energy Island Infrastructure demonstration (FY2012 -) Oki ...



Islanding a Microgrid

Islanding a Microgrid Animation simulates grid-connected and islanded energy flows among distributed energy resources at a military base--while connected to the grid, and while ...



[Building Microgrids on Islands: The Future of Sustainable Energy](#)



Explore how island microgrids use hybrid power solutions, energy storage batteries, and control systems to achieve energy independence and sustainability.



Island Microgrids

Island Microgrids are attractive due to the high cost of importing liquid fuels. While traditionally run off diesel, small and large islands around the world are incorporating renewables and energy storage ...

[Case Study: Solar Microgrids Powering Island Eco-Resorts](#)

Discover how solar microgrids transform island eco-resorts, offering sustainable power, energy independence, and enhanced resilience. Explore real-world case studies and advanced ...





Contact Us

For catalog requests, pricing, or partnerships, please visit:

<https://iwap.com.pl>

Phone: +34 919 456 782

Email: info@iwap.com.pl

Scan the QR code to access our WhatsApp.

