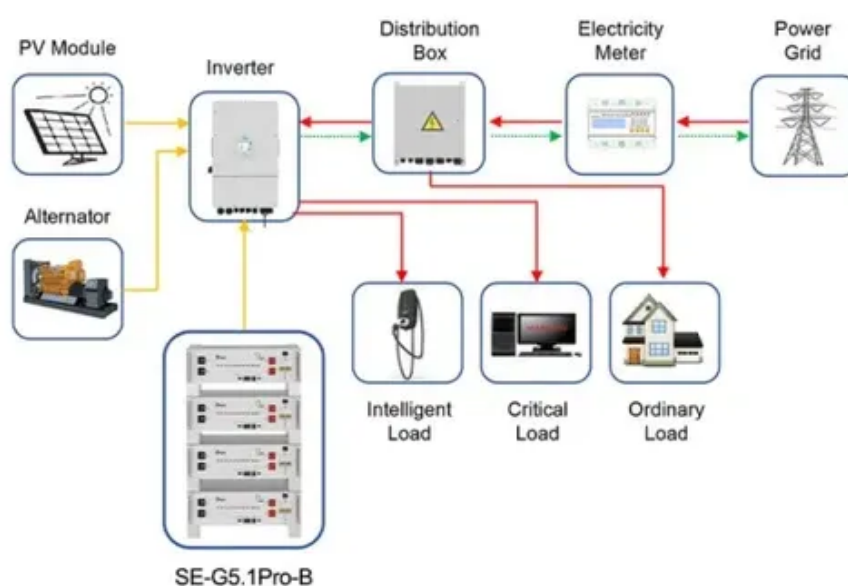




How to connect the lines of photovoltaic panels installed at sea



Application scenarios of energy storage battery products





Overview

This guide covers the fundamentals of solar panel wiring and connection, including when to use each configuration and how it impacts efficiency, output, and design. The utility connection for a PV solar system is governed by the National Electrical Code (NEC) Article. This can appear to be a daunting task for those new to the world of solar but it is actually quite easy and straight forward. In this blog I will walk you through the wiring process for our dual output controller step by step. *

MC4 Connector - A water proof connector used in solar wiring. Most. How to connect the lines of photovoltaic panels in a main environment different than building a solar power series and parallel wiring to create a hybrid solar panel array. Let's get into further details.



How to connect the lines of photovoltaic panels installed at sea



[How to connect the lines of photovoltaic panels installed at sea](#)

Marine Solar Systems - Planning and Installation Guide. Typical marine solar panels are comprised of a number of silicon cells (normally 32+) connected together in a series string.

[The Complete Guide to Solar Panel Wiring Diagrams](#)

Read on to find out more about solar panel connection diagrams and how to wire PV modules to achieve the best performance based on your unique installation requirements.



McGraw-Hill Connect

Home of Peer Review.

Sign In , Connect , McGraw Hill

Forgot your password? By clicking "Sign In", I confirm that I have read and agree to the terms of the McGraw Hill Terms of Use, the Video Viewing Notice, the Consumer Purchase Terms if applicable, ...

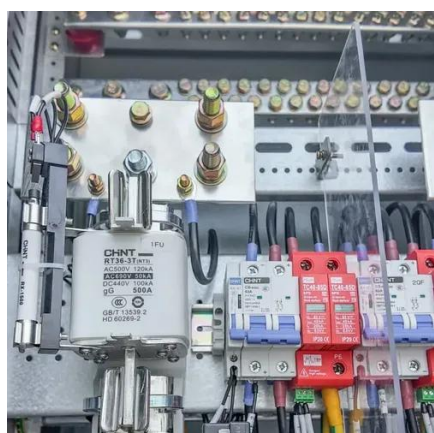


Metrix Portal

Schenectady County Connects offers free online learning, using the Metrix platform. Metrix provides various tools to assess for skill gaps, provide training content to close gaps, explore career ...

Garmin Connect

Running, walking, cycling, swimming, skiing, triathlons - no matter how you move, you can record your active lifestyle on Garmin Connect. It's the only online community created specifically for Garmin ...



McGraw Hill Education

Sign in to McGraw Hill Education to access educational tools and resources for enhanced learning and teaching.

Connect



Forgot Password?

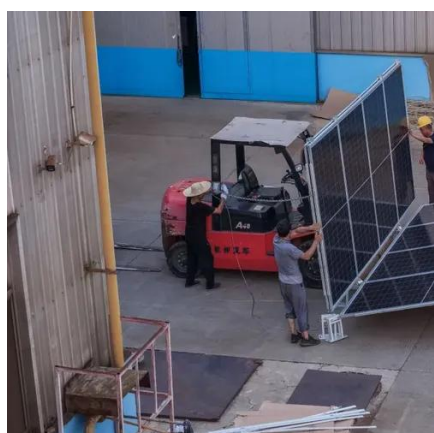


NY Connects

NY Connects is an online resource for parents and caregivers to go to for free, unbiased information about long term services and supports for people of all ages or with any type of disability.

Wiring a Marine Solar System

The practical tips, like adding a switch to isolate the solar panels and connecting the controller to the battery banks before the panels, show real on-the-water experience.



[NY Connects: Your Link to Long Term Services and Supports](#)

NY Connects is a locally based No Wrong Door (NWD) system that provides one stop access to free, objective, comprehensive information and assistance on long-term services and supports for people ...

[Connecting Photovoltaic Panels Methods and Best Practices](#)



Learn how to properly connect photovoltaic panels, exploring the pros and cons of series, parallel, and series-parallel configurations. Ensure optimal performance and safety in your PV installation with ...



[Solar Panel Wiring Basics: Complete Guide & Tips to Wire a PV System](#)

There are three wiring types for PV modules: series, parallel, and series-parallel. Learning how to wire solar panels requires learning key concepts, choosing the right inverter, ...

[Schenectady County Connects \(Job Training Agency\)](#)

Schenectady County Connects is the workforce entity that encompasses Schenectady County Job Training Agency (SJTA) and the New York State Department of Labor One-Stop Career ...



Solar Interconnection Methods (Full Guide)

Navigating solar interconnection methods with diverse configurations and rules is complex. Connecting your PV system demands understanding this landscape.



[Solar Panel Wiring Basics: How to Wire Solar Panels](#)



Master solar panel wiring with this in-depth guide. Learn how to configure series and parallel connections, calculate voltage and current, and safely integrate inverters, charge controllers, and ...



[Solar Panel Wiring Guide: How to Connect Solar Panels](#)

Solar panel wiring guide covering how to connect solar panels in series or parallel for optimal solar panel connection and output.



[Connect , Learning Software , McGraw Hill Higher Education](#)

With Connect, each of your students can enjoy a personalized digital learning experience designed to help them optimize study time and ramp up their grade potential.



[How to connect a PV solar system to the utility grid](#)

The purpose of this article is to give you a basic understanding of the concepts and rules for connecting a solar panel system to the utility grid and the household electrical box or meter.



[How to connect solar photovoltaic panel lines , NenPower](#)



Contextualizing the procedure for connecting solar photovoltaic panel lines unveils both its intricacies and essential practices. From comprehensively grasping wiring configurations to ...





Contact Us

For catalog requests, pricing, or partnerships, please visit:

<https://iwap.com.pl>

Phone: +34 919 456 782

Email: info@iwap.com.pl

Scan the QR code to access our WhatsApp.

