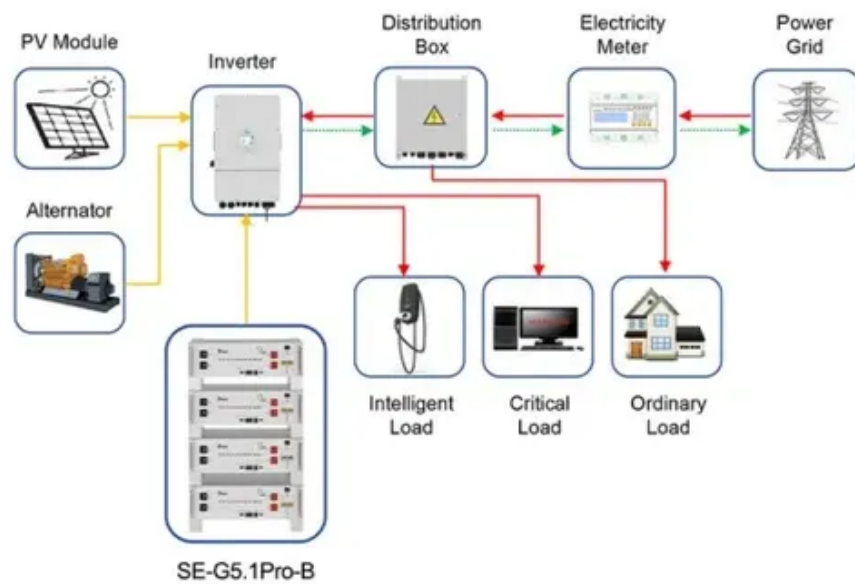




Customized 200kW Industrial Cabinet for Photovoltaic Power Stations



Application scenarios of energy storage battery products





Customized 200kW Industrial Cabinet for Photovoltaic Power Stations



[Industrial and Commercial Outdoor Cabinet 200kw](#)

The standardized, distributed and integrated energy storage cabinet of CNPC Jichai Power Company Limited is an energy storage product that integrates lithium iron phosphate battery, ...

[Thlinksolar PV Storage Cabinet for Industrial Solar Systems](#)

They must store, shift, and deliver power intelligently. Enter the PV storage cabinet: a fully integrated enclosure that brings together lithium battery packs, hybrid inverters, energy ...



[Folding solar system power generation cabin](#)

The QIANEN 200KW Portable Solar Power Container System offers a complete, ready-to-deploy solar energy solution for diverse commercial and industrial applications. This all-in-one containerized ...

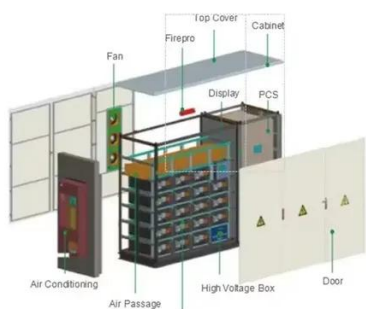
Customized Energy Storage Container 100kw 200kw Lifepo4 Battery Cabinet

Commercial and Industrial Energy Storage
Schools, factories, gas stations and other commercial buildings with high energy demands can maximize energy use Energy independence and reduced ...



[Customized ESS Cabinet Solar Storage System](#)

High-Efficiency Energy Storage Solution: This customized ESS cabinet solar storage system offers a reliable and efficient way to store excess energy generated from solar panels, allowing for a stable ...



Dawnice 200kWh Battery Storage Systems

The outdoor cabinet-type photovoltaic storage system, boasting a power rating of 100kW/200kWh, seamlessly amalgamates energy storage batteries, PCS, power distribution, ...



[Sunpal Solar Cabinet Energy System 100 kWh 200kW 215kW ...](#)

Sunpal Solar Cabinet Energy System 100 kWh 200kW 215kW 240kW Storage Industrial Lithium Ion Battery, Find Details and Price about 100 kWh lithium ion battery solar energy system ...



[200kwh 299kwh Lithium Battery Energy Storage Cabinet Industrial ...](#)



200kwh 299kwh Lithium Battery Energy Storage Cabinet Industrial Use Scalable Energy Storage Solution Peak Shaving & Load Shifting Customizable 50kw 100kw 200kw,multitude of Energy ...



[200kWh-241kWh High Voltage Lithium Battery Energy Storage ...](#)

Explore the BSLBATT ESS-GRID Cabinet Series, an industrial and commercial energy storage system available in 200kWh, 215kWh, 225kWh, and 245kWh capacities, designed for peak ...

Custom-Designed Solar & Storage Systems

Choose from a wide range of containerized solar units, hybrid PV-storage systems, wind-solar integrated cabinets, and mobile power stations. Whether for residential use, industrial sites, military ...





Contact Us

For catalog requests, pricing, or partnerships, please visit:

<https://iwap.com.pl>

Phone: +34 919 456 782

Email: info@iwap.com.pl

Scan the QR code to access our WhatsApp.

